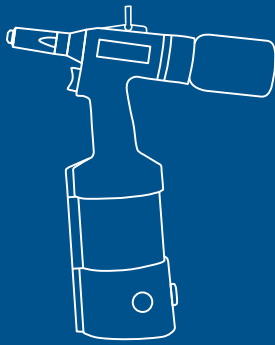


BZ 123A

Setting tool for blind rivets
Pneumatic-hydraulic | with permanent and intermittent extraction



The really powerful tool from **HONSEL**
for blind rivets up to 8.0 mm diameter!

With a **very long stroke of 25 mm** it is also eminently suitable for the setting of high-strength FERRO® BOLT blind rivets.

The BZ 123A is to be found in industrial series production, for example, of truck semi-trailers, and in individual vehicle and trailer construction – wherever large numbers of safety-relevant blind rivets have to be set quickly and reliably.



Very powerful.
Very large stroke.



In order to guarantee functionally reliable, visually monitorable locking of the mandrel of FERRO® BOLT blind rivets, use of the matching special nosepieces is crucial!



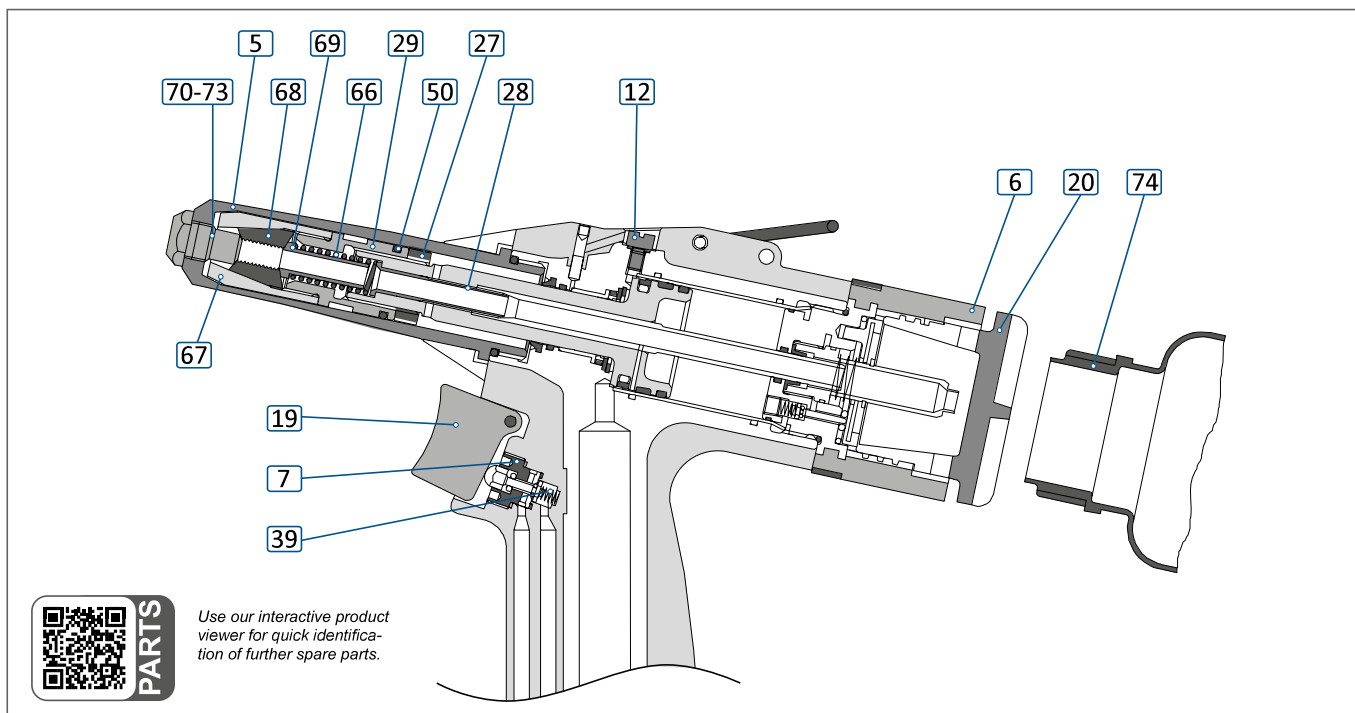
HONSEL BZ 123A with special front sleeve and nose-piece for the installation of lashing rails.
Other custom modifications also possible – we will be happy to advise you!

Family facts on the **HONSEL** pneumatic tools on page 65.

BZ 123 A

	2.4	3.0	3.2	4.0	4.8	5.0	6.0	6.4	8.0	
				Aluminium						
				Steel						
				Stainless steel						
				Copper alloys						
	4.8 mm									
	2.34 kg									
	5-7 bar									
	25 mm									
	3.5 litres									
	18,700 N at 7 bar									
	< 75 dB(A) (68.32)									
	G 1/4 inside thread, can be fitted on left or right									
	<ul style="list-style-type: none"> • 1x BZ 123A pneumatic-hydraulic riveter in HONSEL L-Boxx® • 4x nosepiece • 1 set of clamping jaws • 1 bottle of hydraulic oil with refill unit • 2x mandrel collector 									
Item no. 320.123.000.000										





Use our interactive product viewer for quick identification of further spare parts.

Spare / wear parts and accessories

5	321121000016	Front sleeve
6	321102000006	Mandrel capture comple
7	321102000007	Release valve
12	321101000027	Oil drain plug including o-ring
19	321102000016	Trigger
20	321102000017	Closing cap mandrel capture
27	321122000023	M14 x 1.5 capture nut
28	321121000014	Vacuum nozzle

29	321122000025	Spacer
39	321102000036	Pressure spring trigger
50	321120000014	O-ring 150x20 NBR 90°Shore
66	311045000013	Pressure spring clamping mechanism
67	321120000012	Clamping sleeve
68	321120000011	Clamping jaws (1 set = 3 pcs)
69	321120000010	Guide sleeve
71	321082000010	Mandrel collector
---	321221000065	Extended mandrel container

Standard nosepieces


67	321120000124	Standard nosepiece 4.0 mm
68	321120000125	Standard nosepiece 4.8/5.0 mm
69	321120000126	Standard nosepiece 6.0 mm
70	321120000127	Standard nosepiece 6.4 mm

- ! Special nosepieces can be produced at short notice for specific customer applications.
- ▶ Extended front sleeves and further accessories on pages 74 - 75.
- ▶ Pneumatic accessories on page 81.


Special nosepieces

For recessed riveting points

Extended nosepieces 7 mm


	321123940070	Extended nosepiece 4.0 mm
	321123950070	Extended nosepiece 4.8/5.0 mm
	321123960070	Extended nosepiece 6.0 mm
	321123964070	Extended nosepiece 6.4 mm

Extended nosepieces 20 mm

	321123940200	Extended nosepiece 4.0 mm
	321123950200	Extended nosepiece 4.8/5.0 mm
	321123960200	Extended nosepiece 6.0 mm
	321123964200	Extended nosepiece 6.4 mm

Suitable e.g. for OPTO® multigrip blind rivets with extended mandrel.

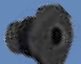
For 5.0 mm large dome head blind rivets

	321120000511	Facade nosepiece head 11.0 mm
	321120000514	Facade nosepiece head 14.0 mm
	321120000516	Facade nosepiece head 16.0 mm

For FERRO® BOLT 4.8 mm high-strength blind rivets

	361121008401	Nosepiece FERRO®-BOLT 4.8 mm
	361121008601	Nosepiece FERRO®-BOLT 6.4 mm

For 5.2/6.3 mm folding blind rivets

	321123716052	Nosepiece for folding blind rivets 5.2 mm
	321123716063	Nosepiece for folding blind rivets 6.3 mm